



S.P.A.M. WEEKLY

Week 4: 1/27/25 - 2/1/25

Week Four

The robot's name has been chosen. Our robot's name for the 2025 season is Anemone! Anemone's chassis frame and swerve modules have been assembled and the frame is painted to match our theme this year. We've gotten a couple more sponsorships and programming is simulating almost the entire robot! S.P.A.M.'s drive team is already practicing full matches in simulation. We will vote on fun shirts next Saturday so make sure to bring some ideas!

Mechanical

Progress:

- Completed drive base
- Elevator built

Next Week's Goals:

- Install deep climb mechanism
- Complete coral end effector

CAD

Next Week's Goals:

- Design coral intake
- Create limelight positions

Programming

Progress:

- simulated elevator arm
- added coral to simulation
- entire practice match simulated

Next Week's Goals:

- start programming real robot mechanisms

Social Media

<https://www.instagram.com/p/DFWkWIBusPg/>

<https://www.instagram.com/p/DFbP9ryBe3m/>

https://www.instagram.com/p/DFgF0ppxZYE/?img_index=1

Field Building

Progress:

- Barge
- Started working on the coral branches

Next Week's Goals:

- Finish the rest of the reef

Fundraising & Outreach

Progress:

- Received sponsorship from Elatec and Li Roberts

Next Week's Goals:

- Continue reaching out to sponsors!

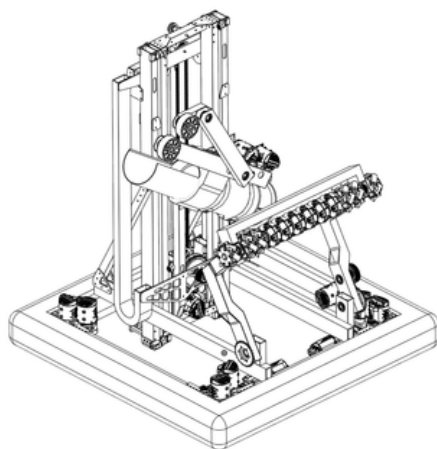
Electrical

Progress:

- Started wiring kraken motors
- Wired drivebase

Next Week's Goals:

- Layout electronics
- Wire subsystems



Bring in shirt design ideas or this is what we end up with



S.P.A.M. needs your help fundraising!



We are in need of sponsors to help cover our travel & robot costs! Talk to a mentor at the admin table if you need help reaching out. We have email templates and a big list of sponsors to help you get started.

20

February Meetings

25

Sun

Mon

Tues

Wed

Thurs

Fri

Sat

2	3	4	5	6	7	8
9	10	11	12	13	14	15
16	17	18	19	20	21	22
23	24	25	26	27	28	

Our Schedule is also on our [website!!](#)

THANK YOU

Made by Zach & Isabella